

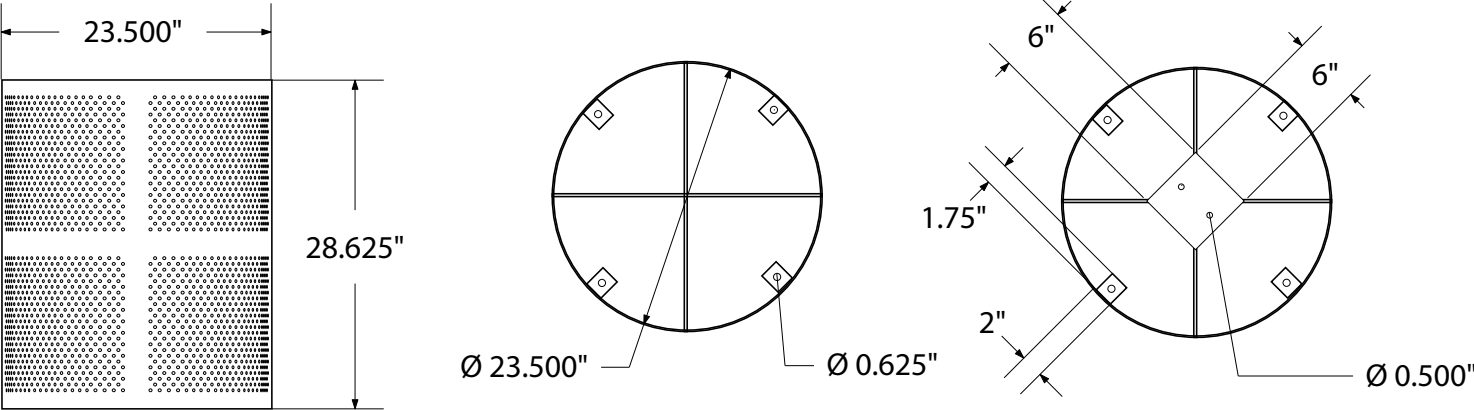
OF-R32-PERF
32 GALLON PERFORATED RECEPTACLE

photo



Lid and liner sold separately.

front / top / bottom view



front / top / bottom view



- Coated Surfaces:**
- Thermoplastic coated
 - Copolymer-based, environmentally safe
 - Does not fade, crack, peel or warp
 - Applied at a thickness of 25-30 mils.
 - 5 Year warranty on coating

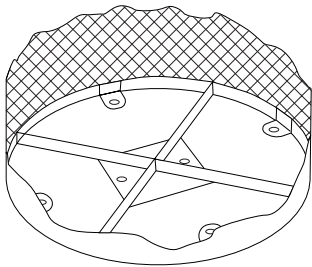
- Construction:**
- 11 Gauge steel
- Weight:**
- 95 lbs

mounting styles

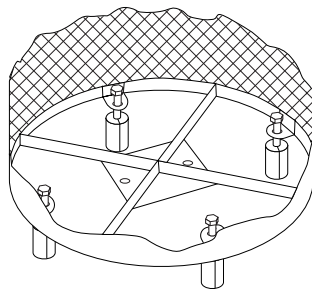
P = Portable: no mount

SM = Surface Mount: concrete anchors through tabs welded to rims [1], or at 6" center plate to B100 above ground mount [2]

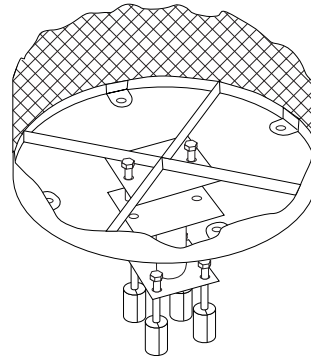
IG= In-Ground: bolts attach at 6" center plate to B200 receptacle mount embedded in concrete



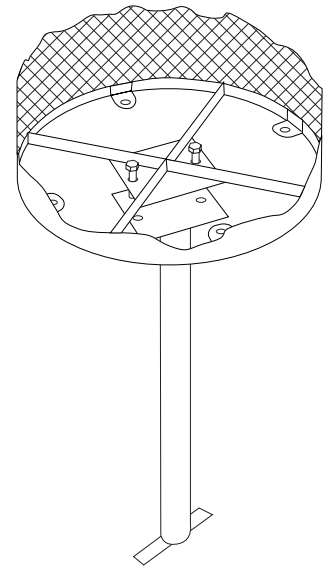
Portable



Surface Mount [1]
[anchors]



Surface Mount [2]
[B-100 6" mount]



In-Ground
[B-200 mount]

All design specifics subject to change. For all products Palmer Hamilton reserves the right to make adjustments due to changing market conditions, product discontinuation, legislative requirements or other circumstances.

Visit our website to see the complete family of Palmer Hamilton products
800-788-1028 | www.palmerhamilton.com

0070901

OF-R32-PERF Spec 0424

