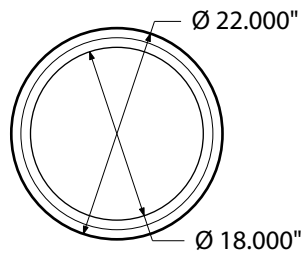


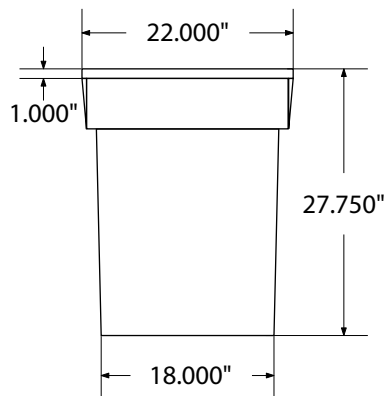
SPEC SHEET OF-R32L
32 GAL. RECEPTACLE LINER



top view



front view



product finish



Construction

Liner is made from black polyethylene plastic.

Where Used

Liner is used in our Getzen 32 gallon round metal receptacles

Weight

4 lbs.

All design specifics subject to change. For all products Palmer Hamilton reserves the right to make adjustments due to changing market conditions, product discontinuation, legislative requirements or other circumstances.