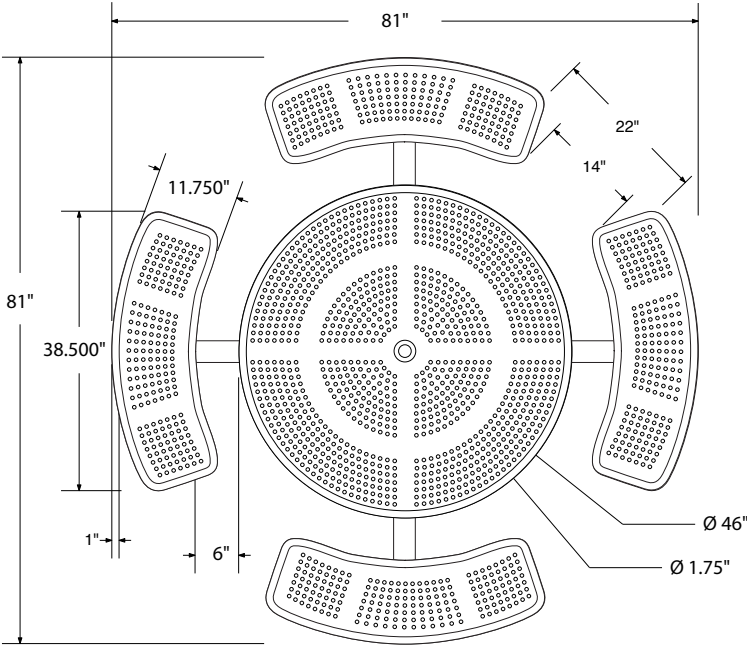


OF-RO46P-PERF SPECIFICATIONS
46" SINGLE POST PERFORATED METAL ROUND TABLE

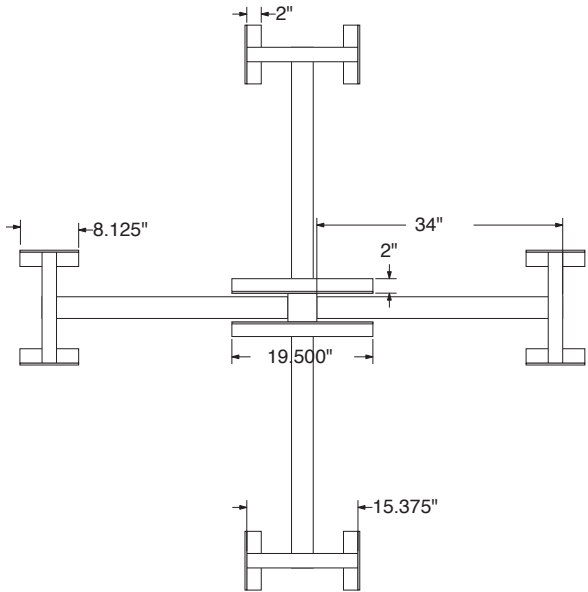
photo



top view

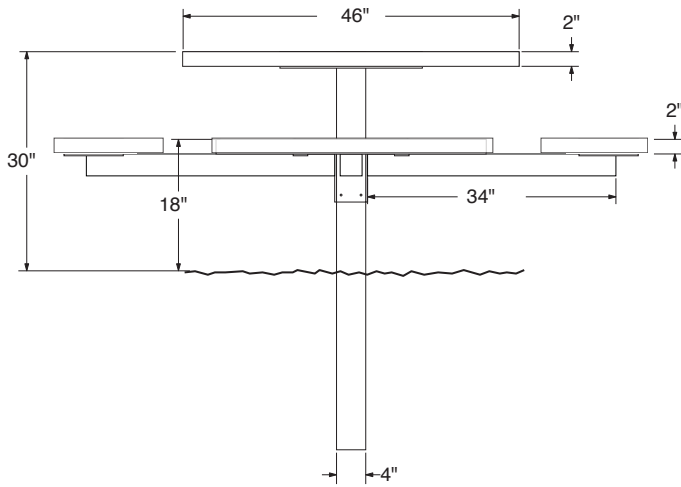


TOP TABLE VIEW

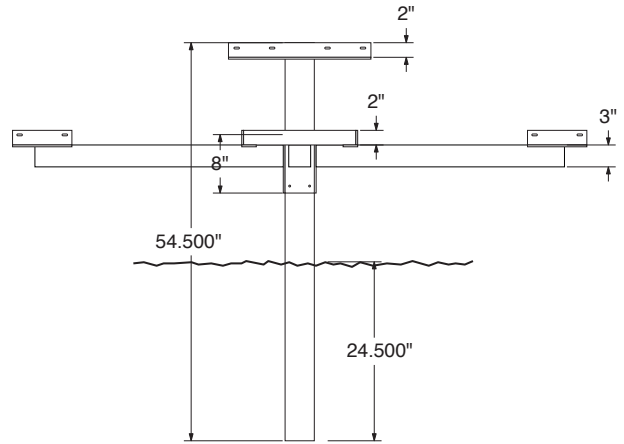


TOP STRUCTURE VIEW

side view

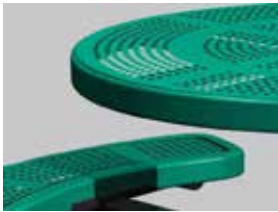


SIDE TABLE VIEW



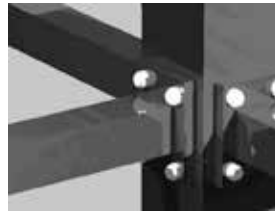
SIDE STRUCTURE VIEW

product finish



Coated Surfaces

- Thermoplastic coated Copolymer-based, environmentally safe
- Does not fade, crack, peel, or warp
- Applied at a thickness 25-30 mils
- 5 year warranty on coating



Construction

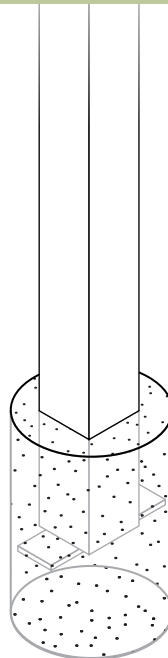
- Seats and tops - 9 gauge steel
- 3" & 4" tubular understructure
- Understructure - galvanized steel
- Understructure finish - black polyester powder coated
- Nuts, washers and bolts - galvanized steel

Weight

- 270 lbs.

mounting styles

IG= In-Ground:
Single post



All design specifics subject to change. For all products Palmer Hamilton reserves the right to make adjustments due to changing market conditions, product discontinuation, legislative requirements or other circumstances.

Visit our website to see the complete family of Palmer Hamilton products
800-788-1028 | www.palmerhamilton.com