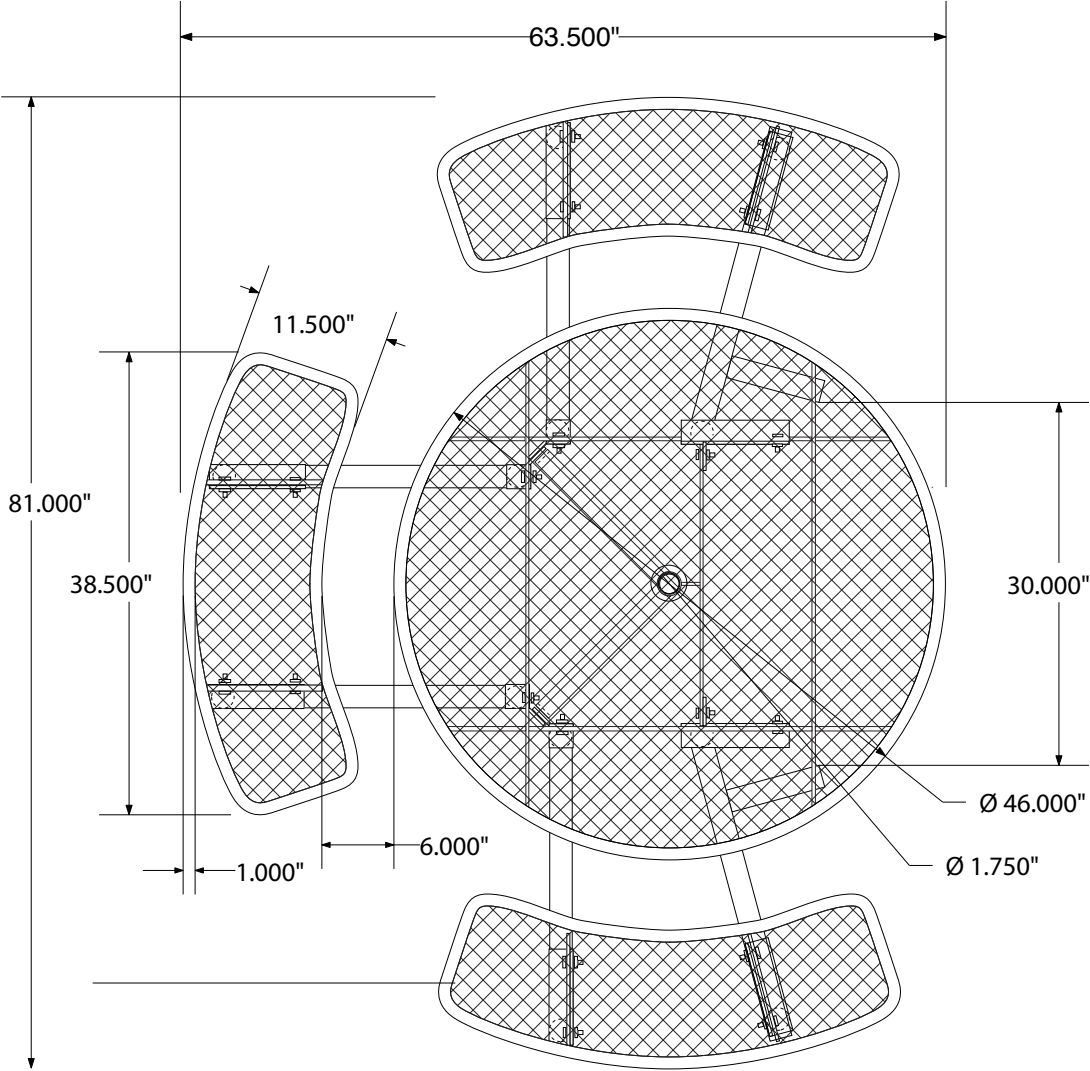


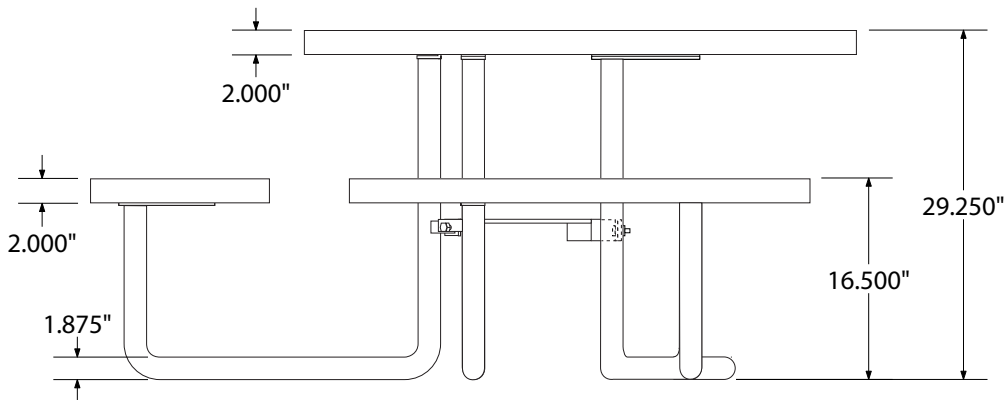
**OF-T46ROP-ADA SPEC SHEET**  
**46" EXPANDED ROUND ADA TABLE**



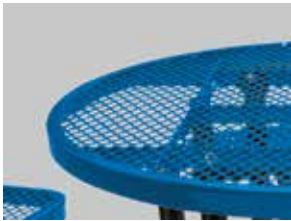
top view



**side view**



**product finish**



**Coated Surfaces**

- Thermoplastic coated
- Copolymer-based, environmentally safe
- Does not fade, crack, peel, or warp
- Applied at a thickness 25-30 mils
- 5 year warranty on coating



**Construction**

- Seats and tops - 9 gauge steel
- 2" galvanized tubular steel understructure
- Black polyester powder coat on understructure
- Galvanized hardware

**Weight**

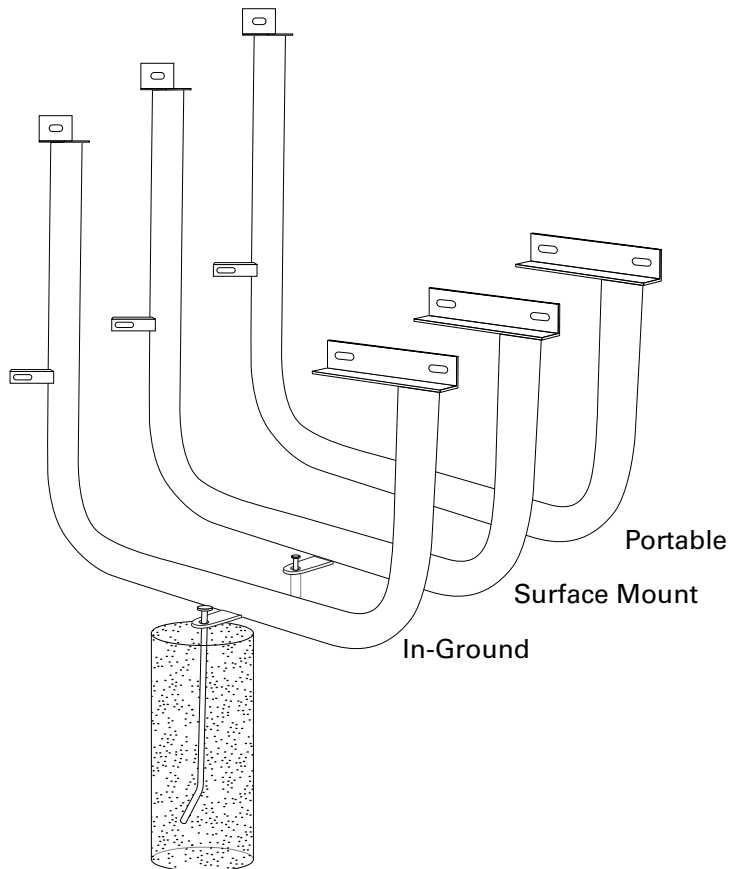
- 240 lbs.

**mounting styles**

P = Portable: no mount

SM = Surface Mount:  
concrete anchors through tabs  
welded to legs

IG = In-Ground: J-rods set in  
concrete through tabs welded  
to legs.



All design specifics subject to change. For all products Palmer Hamilton reserves the right to make adjustments due to changing market conditions, product discontinuation, legislative requirements or other circumstances.

Visit our website to see the complete family of Palmer Hamilton products  
800-788-1028 | [www.palmerhamilton.com](http://www.palmerhamilton.com)

