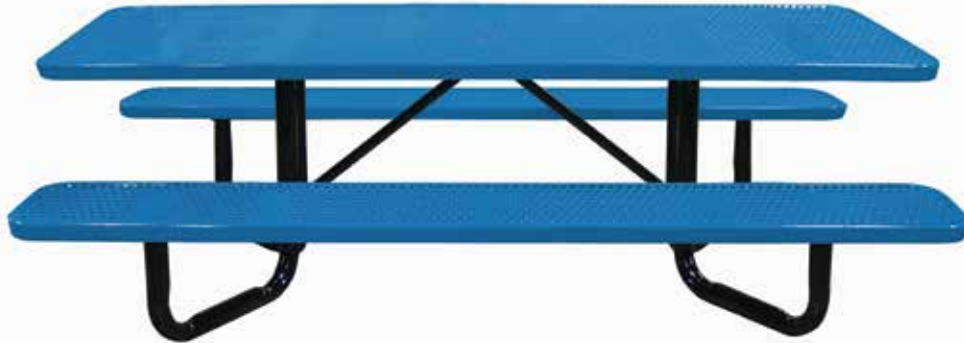
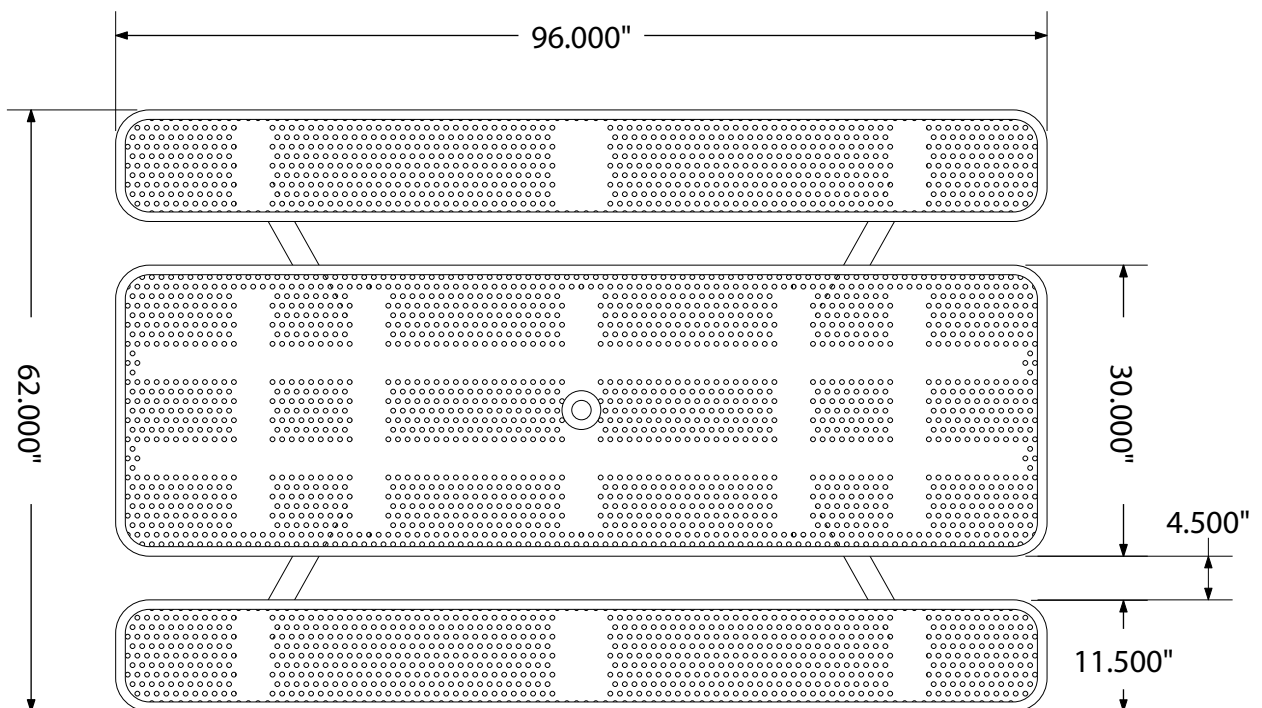


**OF-YT8XP-ADA-PERF SPECIFICATIONS**  
**8' Y-BASE PERFORATED ADA PICNIC TABLE**

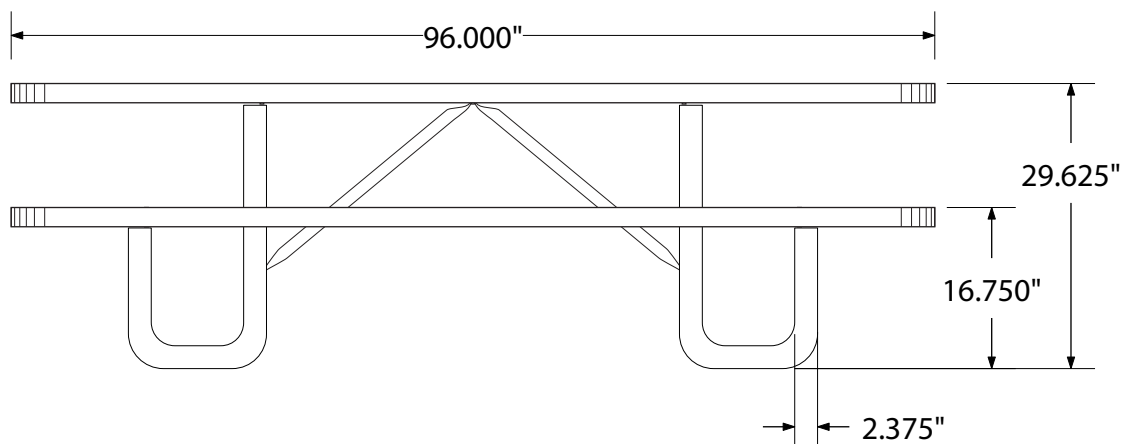
photo



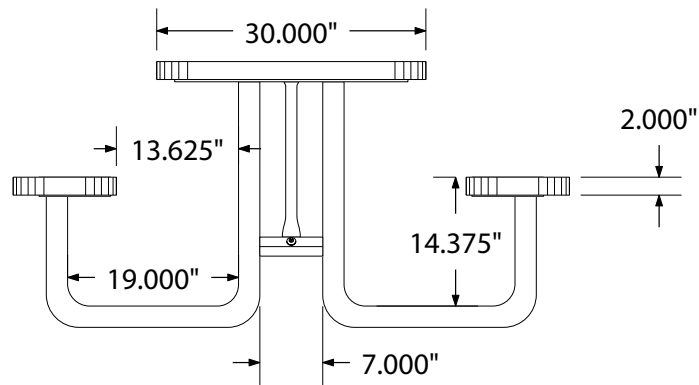
top view



front view



**product finish**



**product finish**



**Coated Surfaces**

- Thermoplastic coated
- Copolymer-based, environmentally safe
- Does not fade, crack, peel, or warp
- Applied at a thickness 25-30 mils
- 5 year warranty on coating



**Construction**

- Seats and tops - 11 gauge steel
- 2<sup>3</sup>/<sub>8</sub>" tubular understructure
- Understructure - galvanized steel
- Understructure finish - black polyester powder coated
- Nuts, washers and bolts - galvanized steel

**Weight**

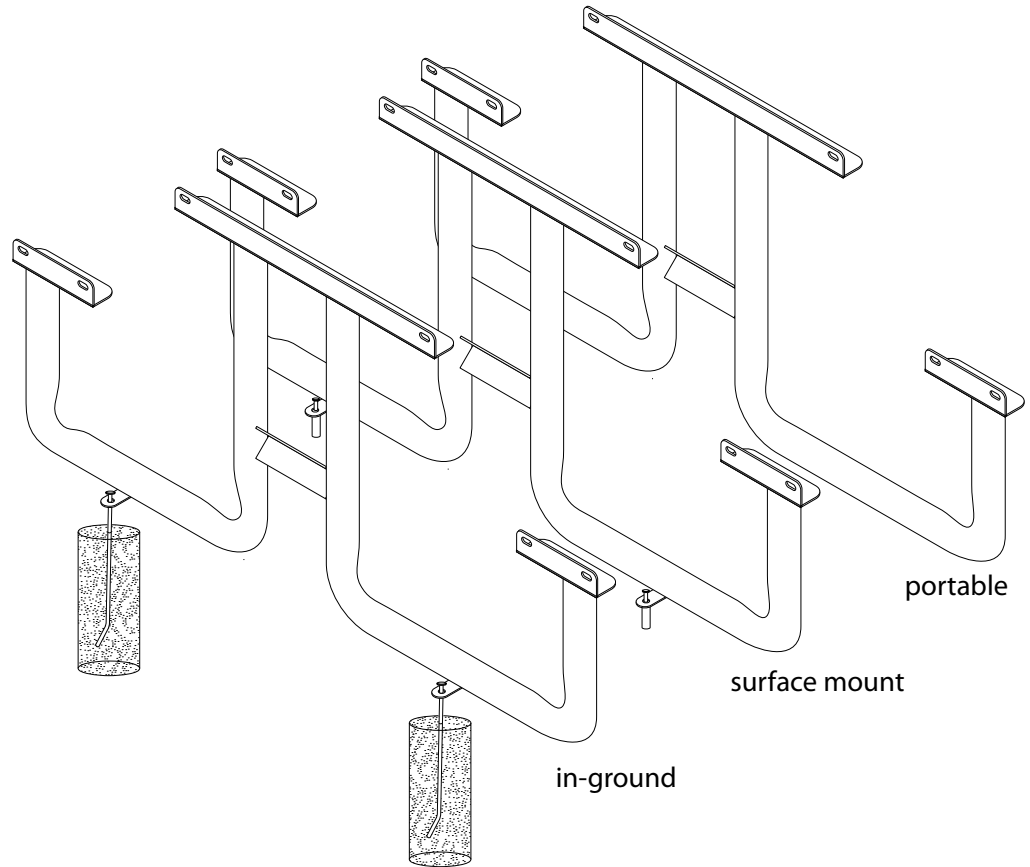
- 380 lbs.

**mounting styles**

P = Portable: no mount

SM = Surface Mount: concrete anchors through tabs welded to legs

IG = In-Ground: J-rods set in concrete through tabs welded to legs.



All design specifics subject to change. For all products Palmer Hamilton reserves the right to make adjustments due to changing market conditions, product discontinuation, legislative requirements or other circumstances.

Visit our website to see the complete family of Palmer Hamilton products  
 800-788-1028 | [www.palmerhamilton.com](http://www.palmerhamilton.com)

