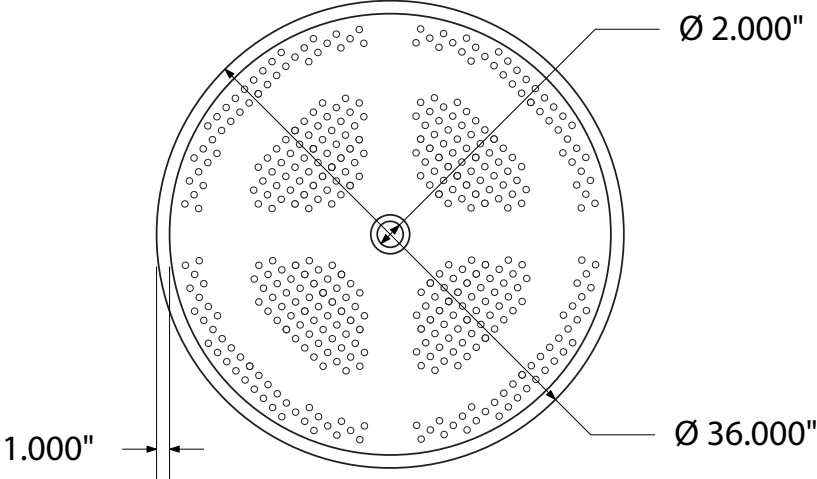


**OF-36TAB40 SPECIFICATIONS**  
**36" PERFORATED PEDESTAL TABLE, 40" HIGH**

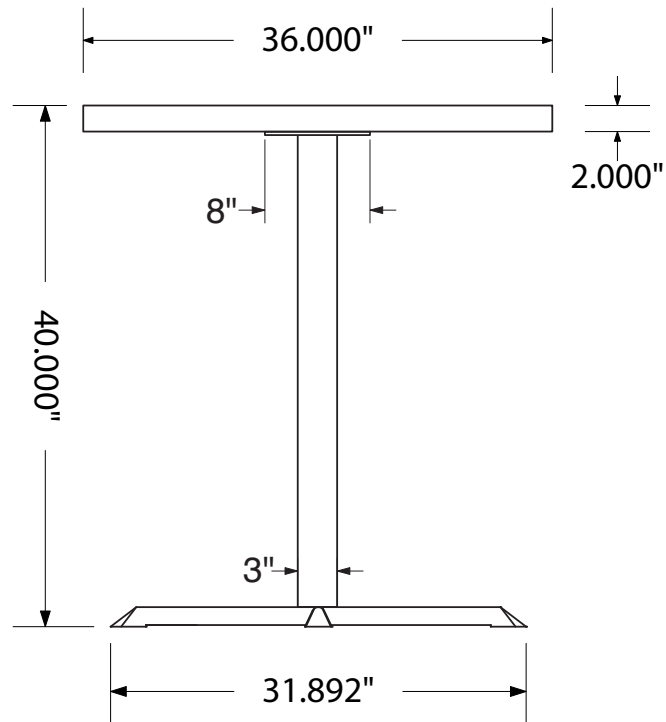
photo



top view



## side view



## product finish



### Coated Surfaces

- Thermoplastic coated Copolymer-based, environmentally safe
- Does not fade, crack, peel, or warp
- Applied at a thickness 25-30 mils
- 5 year warranty on coating



### Construction

- Table tops - 11 gauge steel
- 3" Tubular steel support
- Cast iron base
- Nuts, washers and bolts - galvanized steel

### Weight

- 100 lbs.

All design specifics subject to change. For all products Palmer Hamilton reserves the right to make adjustments due to changing market conditions, product discontinuation, legislative requirements or other circumstances.

Visit our website to see the complete family of Palmer Hamilton products

800-788-1028 | [www.palmerhamilton.com](http://www.palmerhamilton.com)

70944

OF-36TAB40 spec 0724

