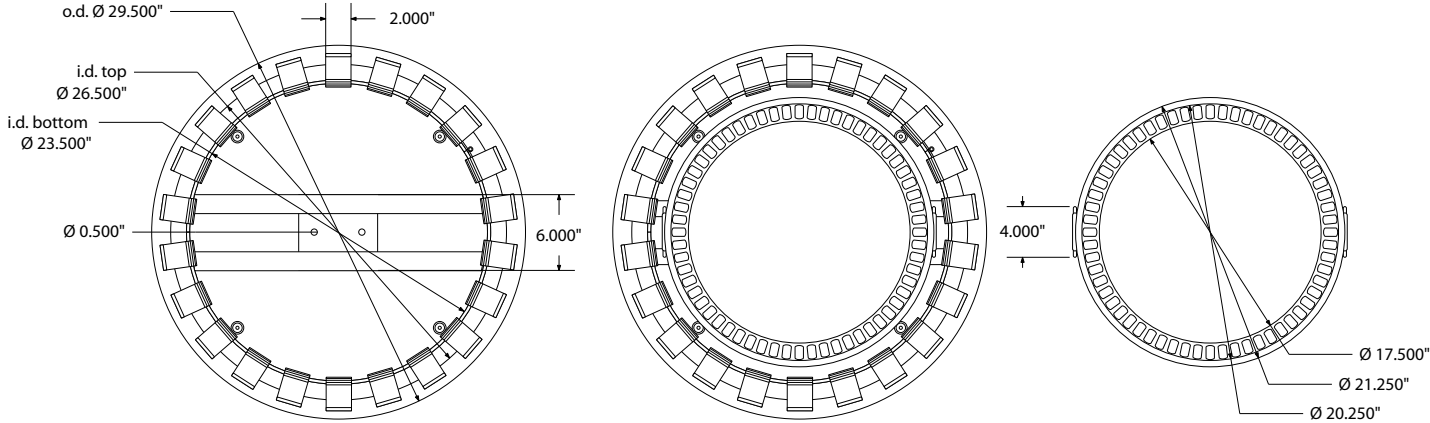


OF-SDR32-SML SPECIFICATIONS

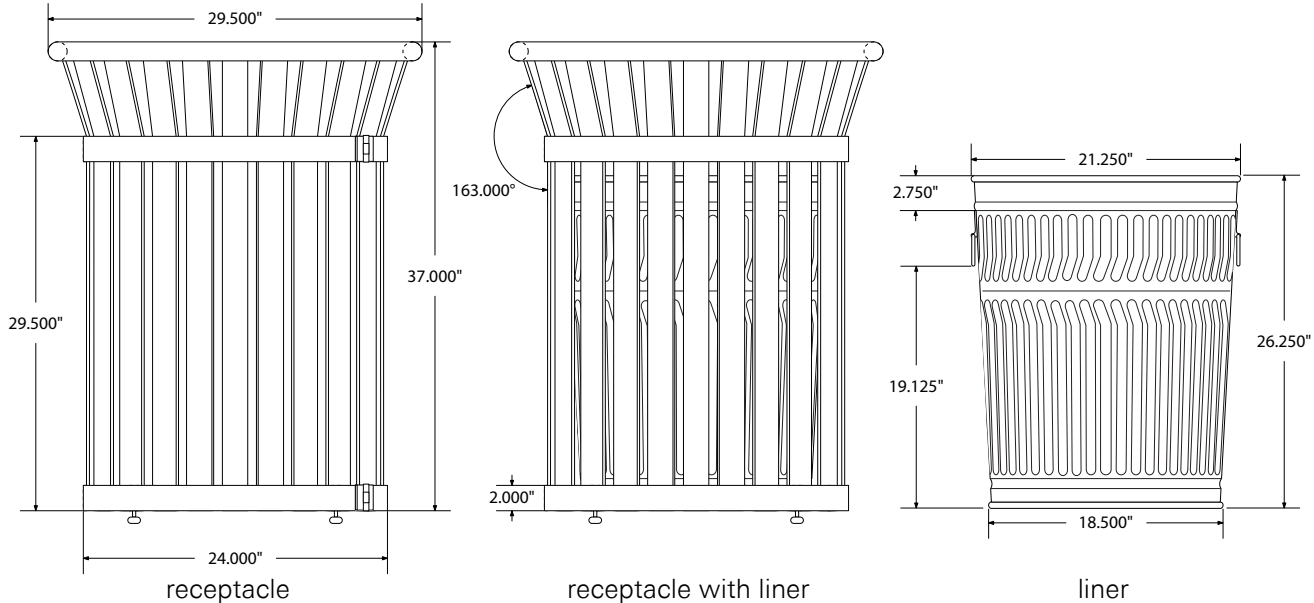
32 GAL. RIBBON RECEPTACLE WITH DOOR, INCLUDES METAL LINER AND SPUN METAL LID



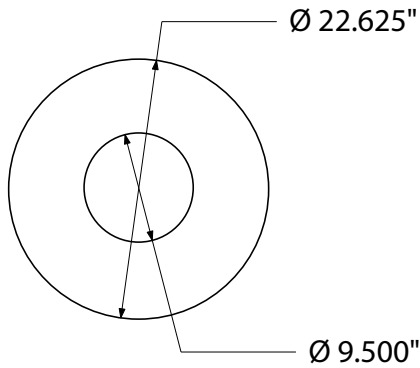
top view



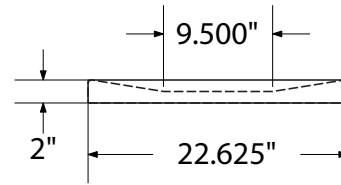
front view



spun metal lid – top view



spun metal lid – side view



product details



Coated Surfaces

- Thermoplastic coated
- Copolymer-based, environmentally safe
- Does not fade, crack, peel, or warp
- Applied at a thickness 25-30 mils
- 5 year warranty on coating

Weight

- 175 lbs.



Liner Construction:

- 25 Gauge zinc-coated galvanized steel

Receptacle Construction

- 1/4" x 2" Steel straps
- 1 1/2" Steel tube lip
- 4 Leveler feet
- Surface mount plate for B100, B200 mounts (see below)
- Chrome plated cast aluminum latch

mounting styles

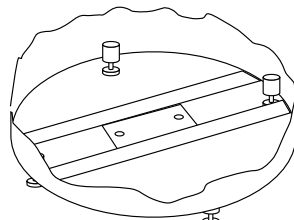
P = Portable :

No mount.

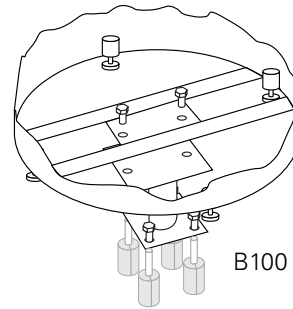
Surface Mount 1:

Concrete anchors through bottom plate.

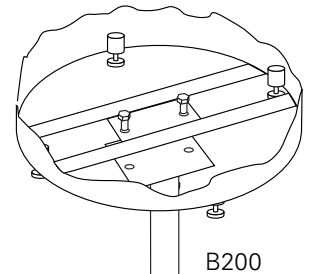
Note: Levelers and bracket for portable mounting and Surface Mount Style 1 included. Other mounts are sold separately.



Portable



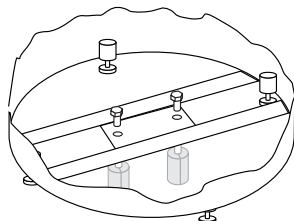
Surface Mount 2



B200

Surface Mount 2:

Bolts through bottom plate into B100 surface mount. B100 Mounted to concrete with anchors.



Surface Mount 1

IG = In-Ground:

Bolts through bottom plate into B200 surface mount. B200 embedded in hole filled with concrete.

In-Ground

All design specifics subject to change. For all products Palmer Hamilton reserves the right to make adjustments due to changing market conditions, product discontinuation, legislative requirements or other circumstances.

Visit our website to see the complete family of Palmer Hamilton products
800-788-1028 | www.palmerhamilton.com

