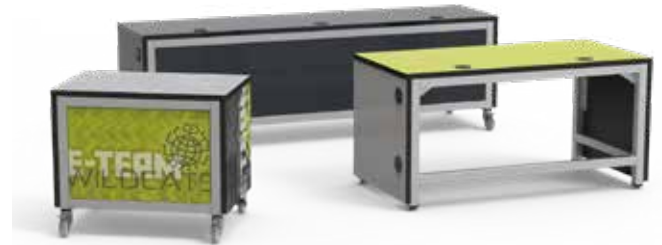


harmony

Heavy-duty gaming tables with built in cord management



FEATURES

- Sturdy, industrial design developed for esports spaces.
- Pass-through openings on top and sides with grommets and cable management on inside surfaces to accommodate wires from source and to adjoining units.
- Casters or glides for easy movement for cleaning and to rearrange room layout as teams grow or programs change.
- Table finish options allow for coordination with room design and other furniture.
- Multiple width and length options to design the room layout to fit floor space.
- Tight engineering and quality manufacturing assure all tables align for smooth, unified surfaces.
- Single-sided desk format tables handle large computers on a sturdy surface, and wider/longer tables are best for double-sided gaming in a esports room setting.

FRAMES

- Frames built 2" square 16-gauge steel
- Available in 30" height, in single sided widths of 24 and 30 inches, double-sided

widths of 48 and 60 inches. Table lengths are 36, 42, 48, 60, 72, 84 and 96 inches. Not all lengths available in all widths; see product specifications on page 4.

- Single-sided tables have bottom cross-brace and power holes located toward the rear of the table.
- Front panels are available only on single-sided tables. Front panels insert into frame, with mounting brackets added to end and top cross member bars.
- Double-sided tables have bottom cross-brace and power holes in the center of the width.
- Modesty panels are available on double-sided tables only. 15" panels are suspended from center cross-brace.



Modesty Panel

Frame Finishes

- All metal parts are thoroughly cleaned to resist corrosion and provide maximum paint adhesion, finished with high-grade electrostatically applied lightly textured polyester powder coating that is baked on for superior resistance to abrasion, marring and scratching.

A table built for side by side team seating.



- Our durable powder coat finish is available in our standard three choices, with ten other colors. See our website for non-standard colors. Minimum orders apply. Upcharge may apply.



Black (BLK)



Chameleon (CHA)



Metallic Silver (MS)

TOPS

- Standard weight top construction of 1-1/8" M3 industrial grade 45# density particle board. Constructed with .003" HPL (decorative laminate) on the top side and a .028 phenolic backer bonded to the bottom of the table core for stability and moisture resistance.

- Choose your colors from Wilsonart® laminates. See their website. Group 1 laminates are included in our base prices.

Group 1: Choose your colors from Wilsonart® laminates. See their website. Palmer Hamilton standards are most colors in Type 335 laminate and finish type ending in -38 or -60. Exceptions apply, including colors that begin with "Y" or end with K-38 or K-60.

Group 2: Standard Pionite®, Nevamar®, and Formica® laminates, and non-standard

Wilsonart® laminates Type 335 and 107 Recycled Content, and finish types not ending in -38 or -60.

Group 3: Wilsonart® Specialty Types 136 / 137 Chalkboard Laminates, and premium Aborite®, Pionite®, Nevamar®, and Formica®

Group 4: Non-Standard Premium Wilsonart® Laminate Types 362 (VDL, Y-Type), 156/336 (Markerboard), 376-HD / 366 Wilsonart® HD, and 515 Compact Laminate.

All premium laminates are subject to an upcharge. Contact Palmer Hamilton with questions.

- Custom logo laminates on top only or top and sides and front panel are available at an upcharge.



EdgeGuard™ corner

EDGES

- Standard is EdgeGuard™, a sprayed-on polyurea eased edge treatment that provides superior resistance to moisture, eliminates unsanitary food traps, and is extremely tamper resistant. Edges stay sealed, preventing peeling and chipping. Durable for many years of use. Standard color is black, with six non-standard colors available. See our website. Upcharges may apply.

Single seating desks available, ready for positioning in a row with power cord management.



- Optional edge is a 3mm PVC adhered to the particle board for a tight bond, available in fashion colors. See our website.

FOOT OPTIONS

- Standard on Harmony tables are adjustable 1-3/4" diameter non-swivel glides with durable nylon.
- Optional are 4" x 1 1/4" wide Poly II gray rubber, ball bearing swivel casters that are non-marking, resistant to water, oil and most acids and chemicals, and create easy movement. Available at additional charge.



ADA COMPLIANT

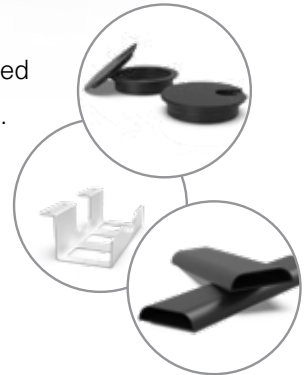
- HARMONY models with glides in all lengths meet the requirements of 2010 ADA Standards for Accessible Design. End user should verify that table meets all local requirements. Tables with casters are wheelchair accessible.

POWER OPTION

- Tables that are ordered with power holes are provided with a cord management system of cord trays and cord slots.
- Tabletop charging modules are available by special order. Contact Customer Service for information.

CORD MANAGEMENT

- Cable grommets positioned in holes for managing cords.
- Under table trays and sleeves hold cords along table edges for safety and organization.



CERTIFICATIONS AND PERFORMANCE STANDARDS

- UL Listed – Tested by Underwriters Laboratories. These tables meet the more stringent safety standards contained in UL Standard for Safety for Folding Rollaway Tables, UL 2040.
- We have been awarded the Greenguard® and Greenguard® Gold by the Greenguard® Environmental Institute. UL GREENGUARD Certification for low chemical emission products helps demonstrate both compliance with key chemical emission standards and commitment to healthier indoor environments.



- Learn more about this program at: www.ul.com/services/ul-greenguard-certification. UL Greenguard lists more than 150,000 UL GREENGUARD-certified products in its online product guide. The Palmer Hamilton products are found at this link.



Specifications

PART NUMBER	DIMENSIONS H x W x L (in)	SIDED	SEAT CAPACITY	NO FRONT PANEL PRODUCT WEIGHT	SHIPPING WEIGHT	W/FRONT PANEL PRODUCT WEIGHT	SHIPPING WEIGHT	SHIPPING DIMS H x W x L (in)
HAR24302436	30 x 24 x 36	1	1	116	139	133	160	18 x XX x XX
HAR24302442	30 x 24 x 42	1	1	123	148	144	173	18 x XX x XX
HAR24302448	30 x 24 x 48	1	2	130	156	154	185	18 x XX x XX
HAR24302460	30 x 24 x 60	1	2	145	174	176	211	18 x 27.5 x 76.5
HAR24302472	30 x 24 x 72	1	3	159	191	197	236	18 x 27.5 x 76.5
HAR24302484	30 x 24 x 84	1	3	174	209	219	263	18 x 32 x 92
HAR24302496	30 x 24 x 96	1	3	188	226	240	288	18 x 34 x 108
HAR24303036	30 x 30 x 36	1	1	136	163	153	184	18 x XX x XX
HAR24303042	30 x 30 x 42	1	1	144	173	165	198	18 x XX x XX
HAR24303048	30 x 30 x 48	1	2	152	182	176	211	18 x XX x XX
HAR24303060	30 x 30 x 60	1	2	169	203	201	241	18 x 31.5 x 74
HAR24303072	30 x 30 x 72	1	3	186	223	224	269	18 x 31.5 x 74
HAR24303084	30 x 30 x 84	1	3	203	244	248	298	18 x 32 x 92
HAR24303096	30 x 30 x 96	1	3	220	264	271	325	18 x 34 x 108
HAR24304860	30 x 48 x 60	2	4	243	292	N/A	N/A	18 x XX x XX
HAR24304872	30 x 48 x 72	2	6	266	319	N/A	N/A	18 x XX x XX
HAR24304884	30 x 48 x 84	2	6	291	349	N/A	N/A	18x XX x XX
HAR24304896	30 x 48 x 96	2	6	314	377	N/A	N/A	18 x XX x XX
HAR24306072	30 x 60 x 72	2	6	320	384	N/A	N/A	18 x XX x XX
HAR24306084	30 x 60 x 84	2	6	349	419	N/A	N/A	18 x XX x XX
HAR24306096	30 x 60 x 96	2	6	376	451	N/A	N/A	18 x XX x XX

WARRANTY

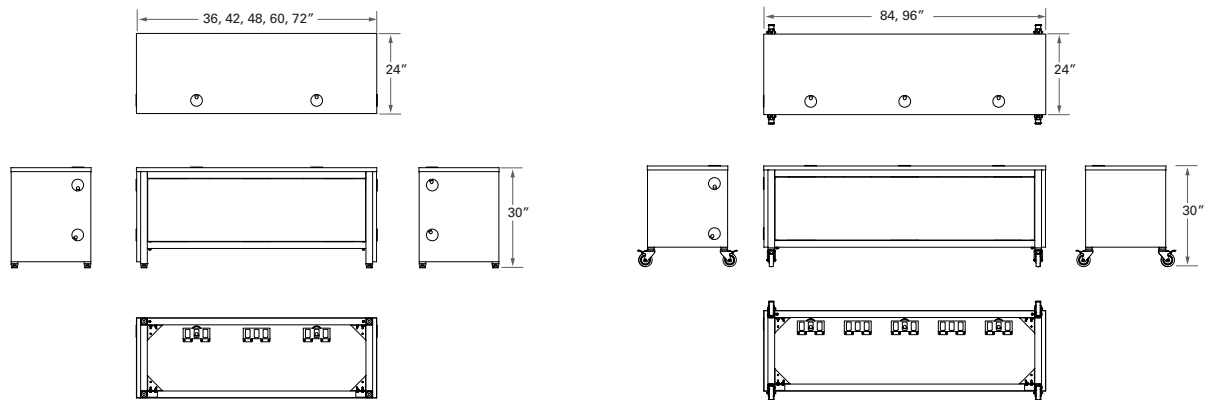
- See Palmer Hamilton Warranty at palmerhamilton.com/resources/warranty

SHIPPING

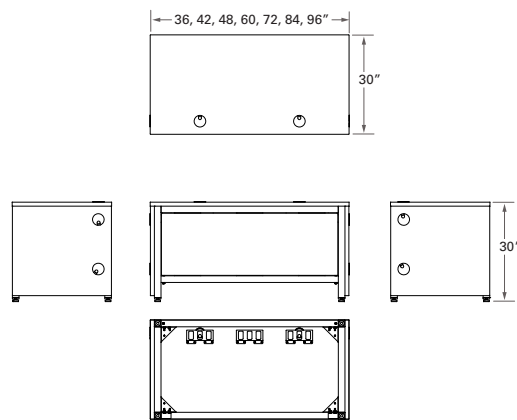
- Ships KD

Measurements

24" DEPTH TABLES



30" DEPTH TABLES



48" & 60" DEPTH TABLES

