

Flush Mount Power Dock

Convenient power access integrated into the tabletop



001000007

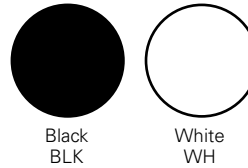


001000006

SPECIFICATIONS

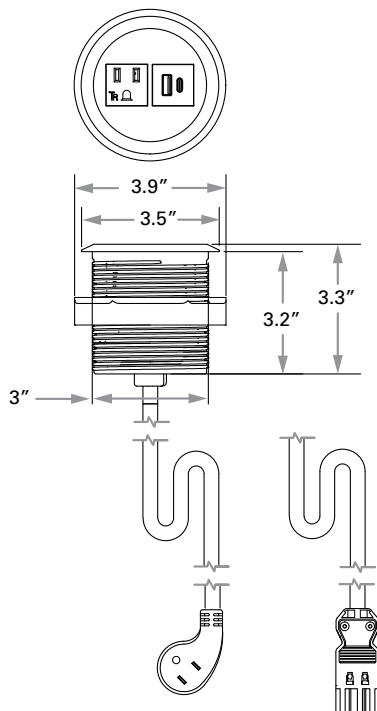
- Tamper-resistant AC outlet
- One USB-A charging port: 5V 2.1A (10.5W)
- One USB-C charging port: 5V 2.4A (12W)
- Rating 125V 60Hz 15A
- 10' 14AWG x 3C power cord for stand-alone module
- Unit includes 6 loop clamps and 10 hook/loop fasteners for cord management
- UL & cUL certified for use in USA and Canada

COLORS

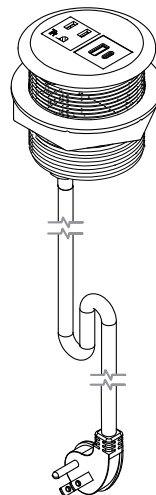


WARRANTY

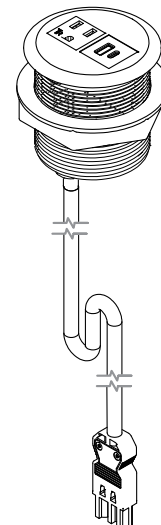
See our website.



Stand-alone Module
10' Cable



With Linking Kit
6' Cable



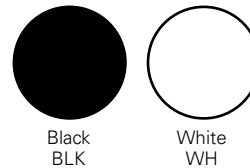
Flush Mount Power Dock Linking Kit

Simple method to connect two power units to a single plug

KIT INCLUDES:

- Two flush mount charging and power modules (specify black or white)
- Wall socket to splitter cable adapter (10' total cord length)
- Bracket to hold splitter
- Input/output DC power module to attach two units. Linking more than two units requires a custom order. Call for quote.
- 12 loop clamps and 20 hook/loop fasteners for wire management
- UL & cUL certified for use in USA and Canada

COLORS



WARRANTY

See our website.

