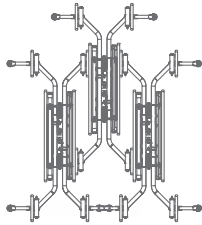


Premium features
and functions

The 63T is one of our best designed,
feature rich tables.



COMPACT STORAGE

Three tables require less than a 5.7' x 5.5' footprint. Additional tables add 14.5" to the nested depth.



63T (63T23193012)



DOUBLEGUARD® system enables tables to be stored folded flat for compact storage. Meets and exceeds current UL anti-tipping safety standards.

TORSION BARS AND COMPRESSION SPRINGS work together to provide long-lasting lift assistance. One of the easiest lifting tables on the market.

END LEG ASSEMBLIES with center wheels offer superior weight distribution. Equipped with swivel casters.

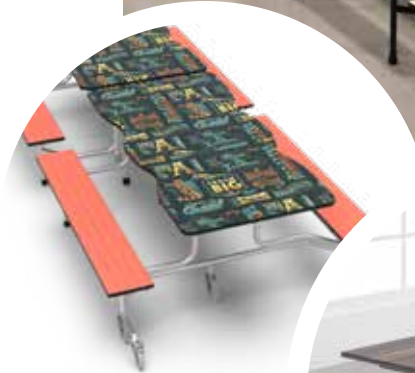
CENTER LATCHES accessible from either side of the table. Saves time – less walking around tables.

WHEELCHAIR ACCESSIBLE VERSION provides space for one wheelchair user and seating for two when bench is removed.

EdgeGuard™ Durable and tamper-resistant EdgeGuard (standard) on 3/4" M3 particle board.

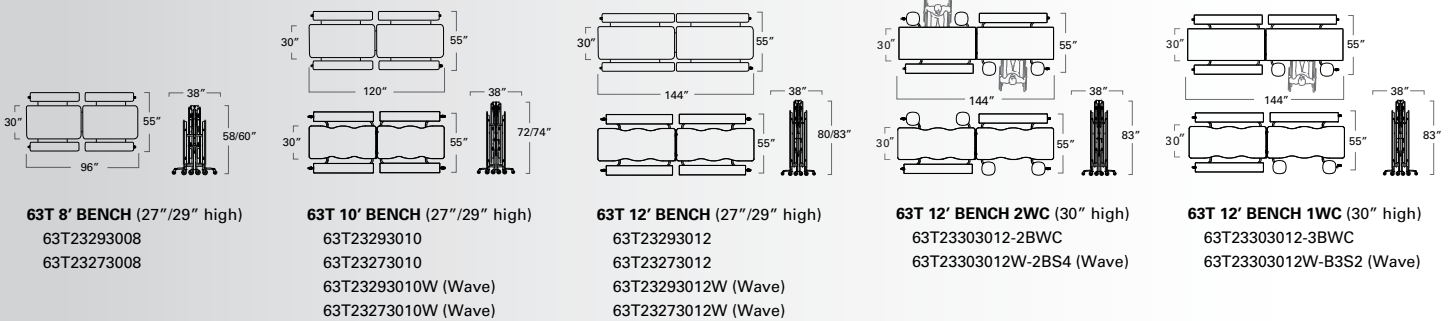
WAVE tabletop available for unique floor plan variations.

 Made in the USA



*Easy set up.
Strong and durable.*

6 3 t b e n c h q u i c k s p e c s



Associations and Purchasing Groups:



palmer HAMILTON

143 S. Jackson Street
Elkhorn, WI 53121-1911

Toll Free: 800-788-1028
Local: 262-723-8200
Fax: 262-723-5180

www.PalmerHamilton.com

Visit our website to see the complete family of PalmerHamilton products.