



colors, graphics and  
furniture selection

2025

New York City Board of Education

Palmer Hamilton has developed graphic packages representing the 5 New York City boroughs. Customize your cafeteria by selecting your colors and furniture styles that best fit your school spirit and space.

- M a n h a t t a n
- B r o o k l y n
- Q u e e n s
- t h e B r o n x
- S t a t e n I s l a n d

# colors & graphics

## Colors <sup>A</sup>

Select the colors your school would like to use in its graphics.

Select from our list or provide your logo color Pantone numbers. Our designers will use your colors as they determine the finishes for your furniture and develop the graphics.

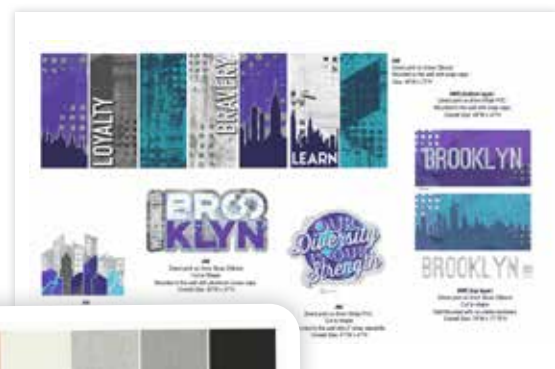
Note: Due to limitations in the printing process, actual colors may appear slightly different.



**Graphics** Chose from three unique graphic color palettes.

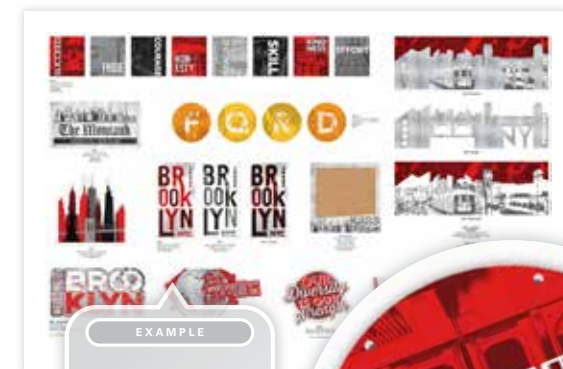
### 1 Neutral Palette

The Neutral Palette works best for schools with multiple personalities, allowing a sophisticated backdrop for school pride.



### 2 School Spirit Palette

This graphics package design will take your school colors choices (above right) and make them shine throughout the dining space.



**EXAMPLE**

Your colors selected from the colors above "A".

Candy Apple Black Bird

Your school graphics may look like this.



### 3 Vivid Palette

The "vivid" design style takes your school color choices and incorporates them to create bright, fun and vibrant graphics with coordinated seating.



# mobile tables

furniture

palmer HAMILTON

OPTION SAMPLES:

**Frames:**  
Black

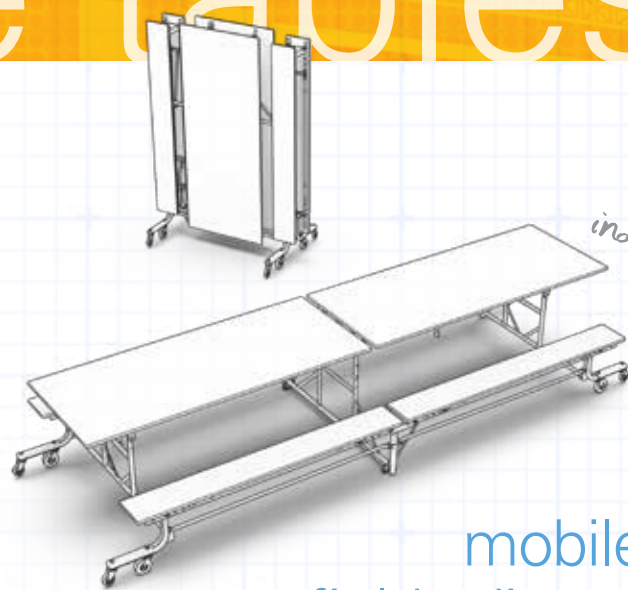


**Laminates:**  
Match your school colors, or stay neutral



Our designers will use your color selections to enhance your space.

Made in the USA



*Space saving industry leader.*

## The 19F mobile table with field adjustable heights

**FOLDS FLAT** Compact storage — **industry leader!**

**FIELD-ADJUSTABLE HEIGHT** 27", 29" or 30" high.

**LIFT ASSIST SYSTEM** One of the easiest lifting tables on the market.

**DOOR CLEARANCE** Our tables easily clear standard 7' door frames.

*Light weight. Easy to lift.*

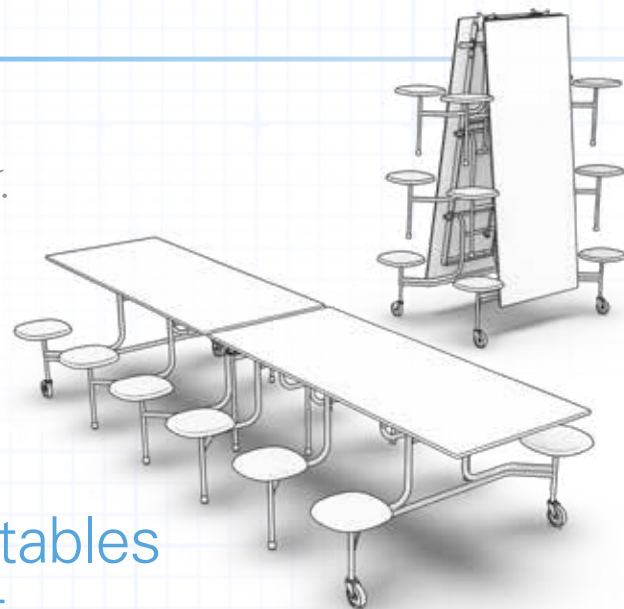
VICTORY TABLE

## The 59TV is one of the easiest lifting tables on the market

**STANDARD HEIGHT FOR DOOR CLEARANCE** Our tables easily clear standard 7' door frames.

**CENTER LEGS** holds up to the rigors of the school environment.

**EdgeGuard™** polyurea edge resistant moisture, food traps, and extremely tamper resistant.



OPTION SAMPLES:

**Frames:**  
Black

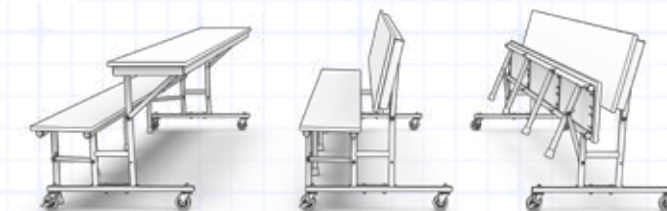


**Laminates:**  
Match your school colors, or stay neutral

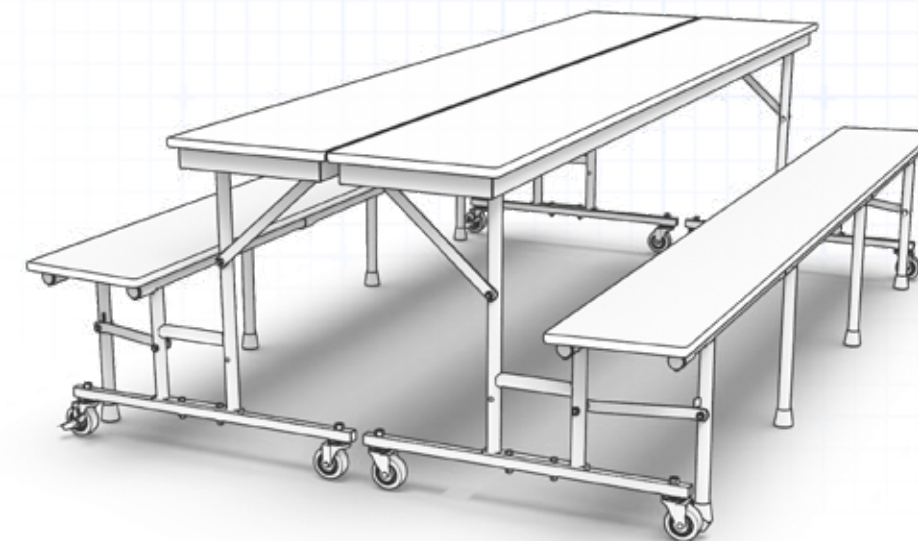


Our designers will use your color selections to enhance your space.

Made in the USA



*The ultimate in use flexibility.*



## The 34 series converts to benches and/or tables

**CONVERTIBLE BENCH/TABLE** transforms from a single-sided table, to a comfortable bench, to a full-size cafeteria table.

**25" HIGH TABLE MODEL** offers lower table height. Smaller size perfect for Early Childhood settings.

**EdgeGuard™** polyurea edge treatment that provides superior resistance to moisture, food traps, and is extremely tamper resistant.

# furniture complementary tables & chairs

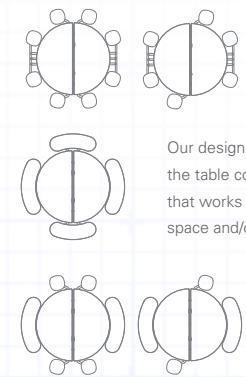
## The 59T series provides the largest number of seating options

**TORSION BARS AND TORSION SPRINGS** work together to provide long-lasting lift assistance. One of the easiest lifting tables on the market.

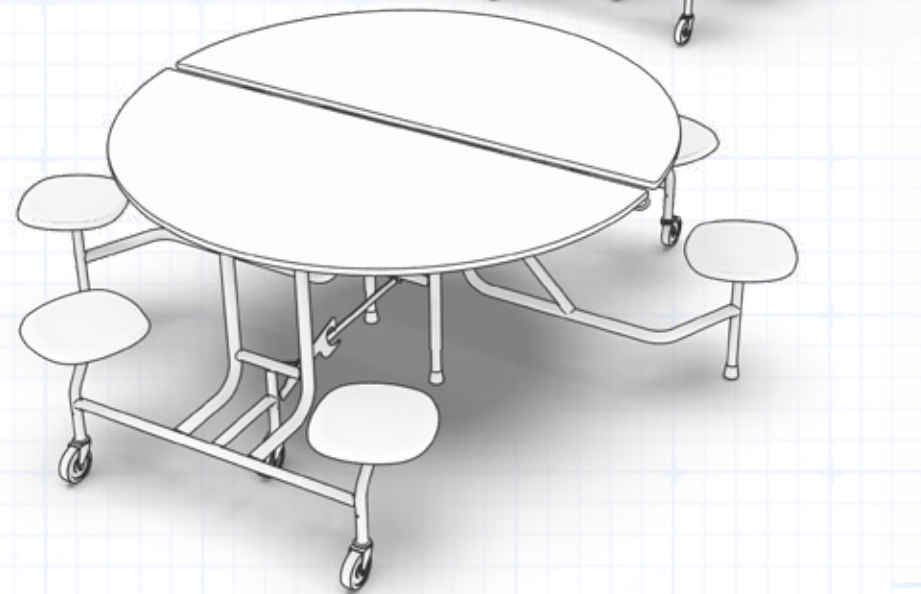
**WHEELCHAIR-ACCESSIBLE MODELS** are 32" high and provide access for two to four wheelchairs.

**STORAGE LATCH** secures table in upright position. Locks table for storage or moving.

*Great shape for group dining*



Our designers will select the table configurations that works best for your space and/or ADA needs.



### OPTION SAMPLES:

**Frames:**  
Black



**Stools/Laminates:**  
Match your school colors, or stay neutral



Our designers will use your color selections to enhance your space.

Made in the USA

### OPTION SAMPLES:

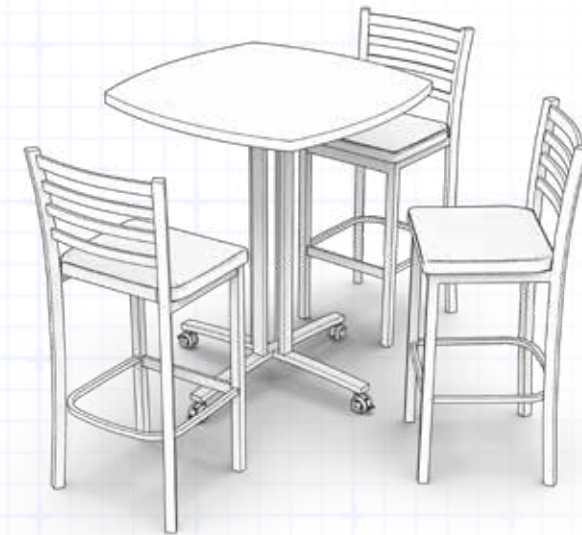
**Frames:**  
Black



**Laminates:**  
Match your school colors, or stay neutral



Our designers will use your color selections to enhance your space.



## STORY

## Unique table design with bold style

**"SQUIRCLE" SHAPE** rounded edges help soften the shape.

**EdgeGuard™** polyurea edge treatment that provides superior resistance to moisture, food traps, and is extremely tamper resistant.

**HEIGHTS:** 29" standard and 42" cafe heights available.

**Frames/seat:**  
Black frame, Walnut stained seat

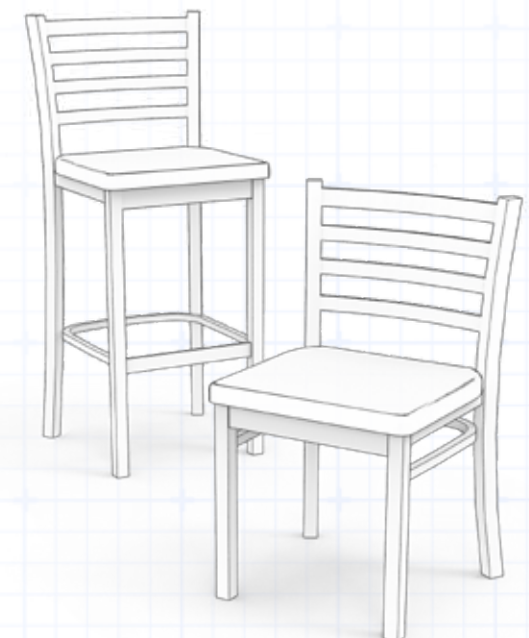


## ENCORE metal Metal framed seating with style and function

**STANDARD AND PUB HEIGHT** matched with your tables

**DURABLE** walnut stained wood seat.

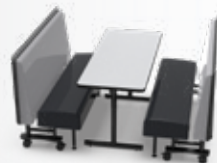
**PAIRS WELL** with Conversation and Story tables.



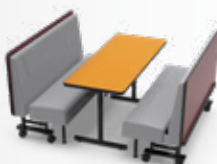
# furniture booths and tables

OPTION SAMPLES:

**Frames:**  
Black



**Fiberglass:**  
Cappuccino, Steel Grey, Lapis  
or Obsidian or combine

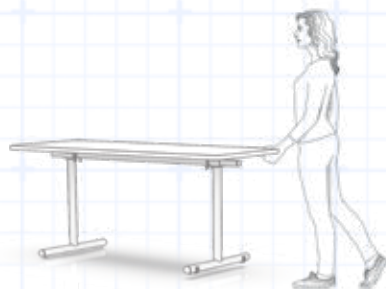


**Laminates:**  
Match your school colors,  
or stay neutral

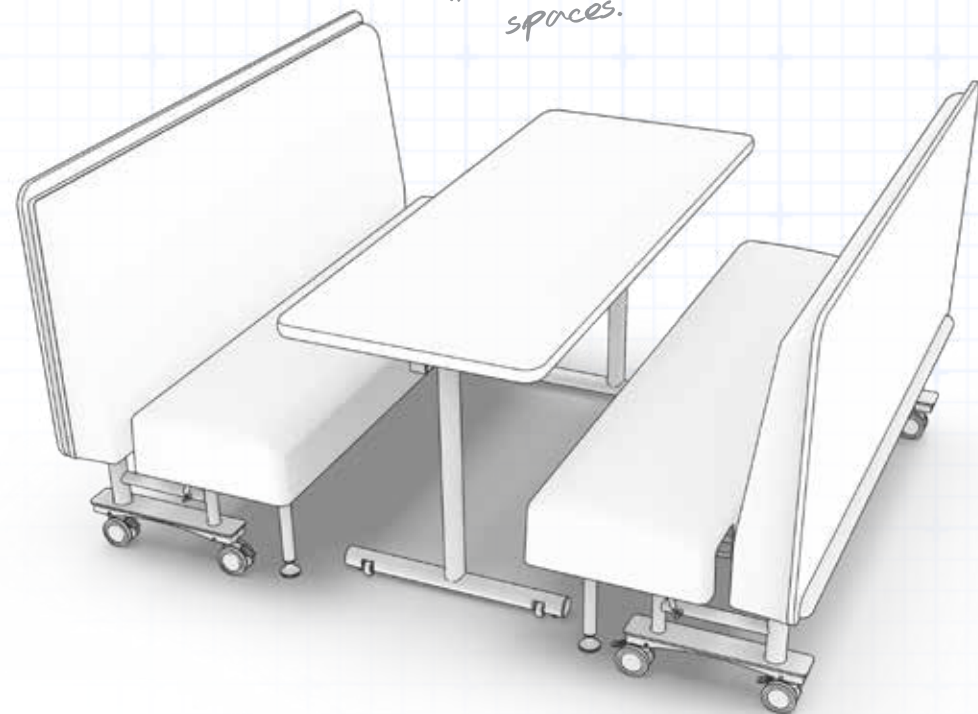


Our designers will use your  
color selections to enhance  
your space.

**AERO GO TABLE** completes a booth set.  
The Aero Go Table features built-in casters  
that are activated by picking up the end of  
the table allowing it to be easily moved.  
When the table is flat it will not roll.



*Great for  
multi-purpose  
spaces.*



## CHARIOT™ Mobile booths for flexible dining spaces

**THE NEED FOR DINING SPACES TO SERVE MULTIPLE ROLES**  
requires dining furniture to be more mobile, flexible, easy to  
reconfigure and storable.



**CHARIOT® GO BENCH** features a seat that folds  
up, and built in casters allow the whole bench to be  
wheeled away for easy reconfiguration or storage.

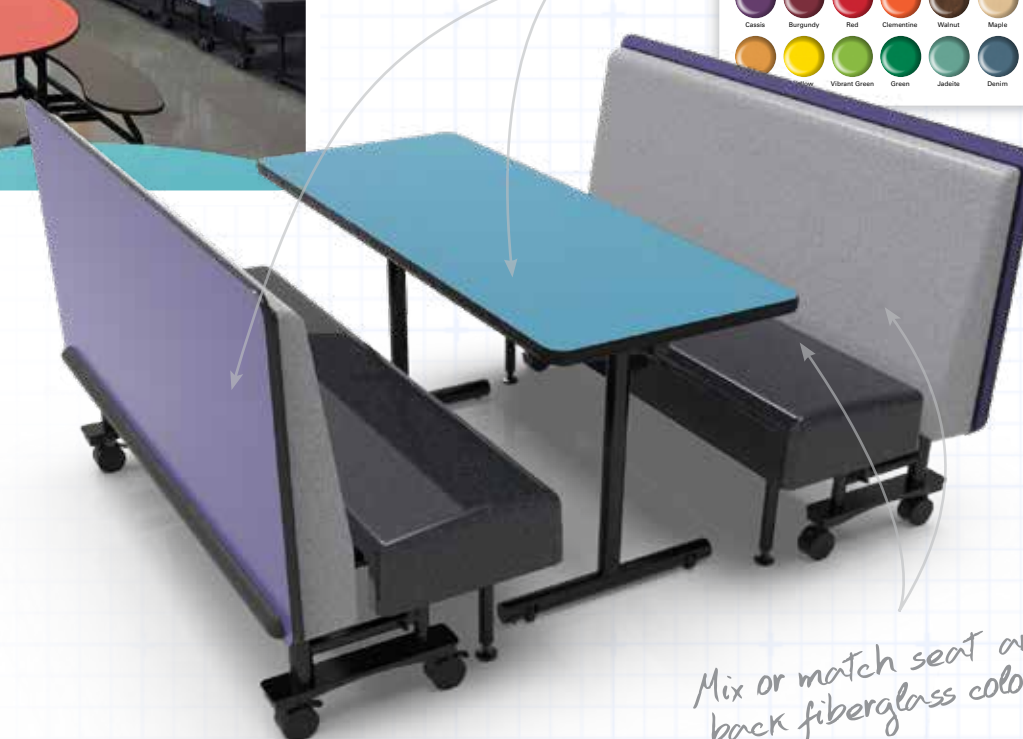


*Multi-colored laminate  
table tops and  
seat backs.*

Laminate choices:



Fiberglass color choices:



*Mix or match seat and  
back fiberglass colors.*

# café tables

furniture

palmer HAMILTON

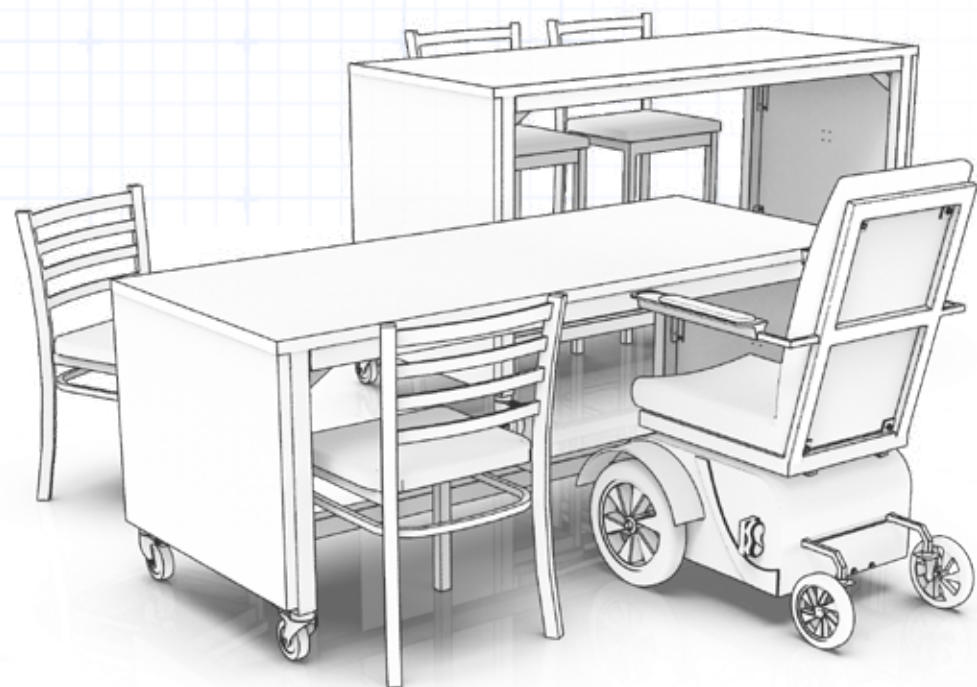
## conversation

Add unique seating options to a modern school cafeteria

**FLEXIBLE SIZES** Multiple heights/widths/lengths

**CASTERS** for room design options

**PAIRS PERFECTLY** with wheelchairs, Encore chairs



### OPTION SAMPLES:

**Frames:**  
Black



**Laminates:**

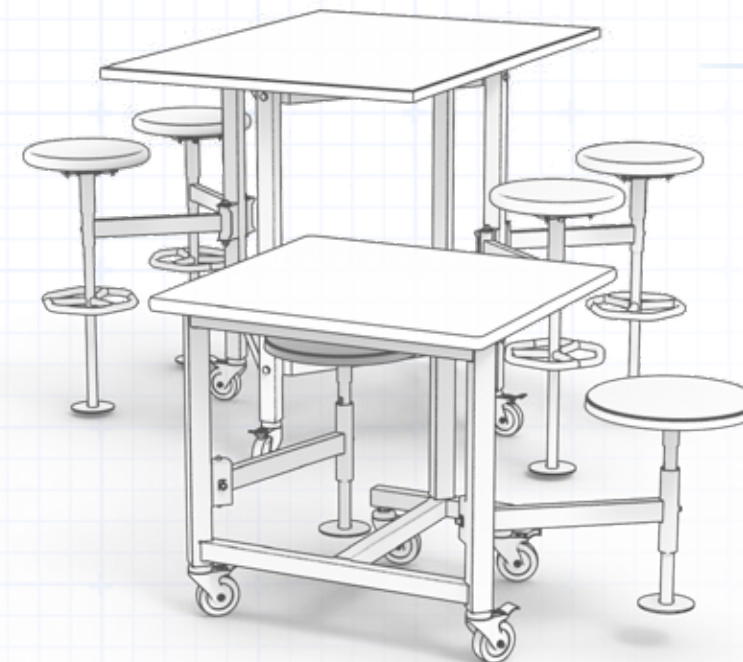
Match your school colors, or stay neutral



Our designers will use your color selections to enhance your space.

Made in the USA

*Stools swing providing space saving seating.*



## Mobility with a stylish design

**STYLE AND FUNCTIONALITY** is reflected in the Rally™ table. These are favorites with their swing out seats, durable locking casters and hooks for backpacks/coats.

**MOVE TO RECONFIGURE** your space. Lock into a row with side by side positioning.



*Available in 30" and 42" heights*

### OPTION SAMPLES:

**Frames:**  
Black



**Laminates:**

Match your school colors, or stay neutral



Our designers will use your color selections to enhance your space.

Made in the USA

# worksheet

Toll Free: 800-788-1028 • info@palmerhamilton.com • www.PalmerHamilton.com | 143 S. Jackson Street • Elkhorn, WI 53121-1911

## About the School

School Number:	School Name:
School Address:	
Borough:	Zip Code:
Contact Name:	Position:
Contact Email:	Contact Phone #:

## Cafeteria & School Color Details

Current number of seats:	ADA seating (10% is standard percentage):
--------------------------	---

School Colors (select colors your campus would like to use in your graphics):

White	Zen Grey	Storm	Black	Nocturne	Navy Blue	Blue	Walnut	Maple	Brushstroke
Cassis	Burgundy	Red	Clementine	Gold	Yellow	Vibrant Green	Green	Jadeite	Denim

Pantone™ Colors or other:

## Graphics Selection

Graphic/Color Scheme (choose one)

<p>Neutral</p>	<p>School Spirit</p>	<p>Vivid</p>
----------------	----------------------	--------------

## Furniture Selections

Select your preferred styles of tables and booths. For descriptions of the products offered in this list, please go to this page.

<input type="checkbox"/>	<input type="checkbox"/>	<input type="checkbox"/>	<input type="checkbox"/>	<input type="checkbox"/>	<b>Fiberglass Choices</b>	
19F Mobile Table	59TV Mobile Table	59T Mobile Table	34M Convertible Bench/Table	Chariot Mobile Booth	Steel Grey	Lapis
<input type="checkbox"/>	<input type="checkbox"/>	<input type="checkbox"/>	<input type="checkbox"/>	<input checked="" type="checkbox"/>	<b>Frame Color</b>	<b>Stool Colors</b>
Rally Table with seating	Conversation Table	Story Table	Encore Metal seating	Walnut Stain	Black	Lava
						Black

Note: Due to limitations in the printing process, actual colors may appear slightly different.