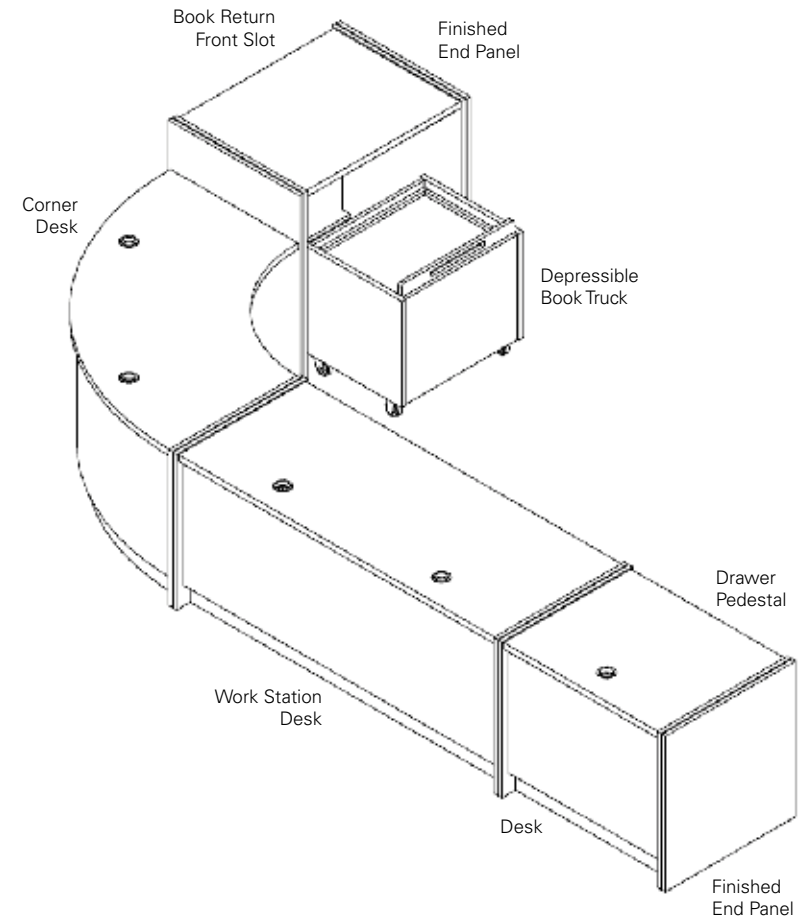


ESSAY

Circulation Desks

Palmer Hamilton designs libraries, media centers, and higher-education environments featuring high-quality desks and accessory modules. The sample shown illustrates the type of unit we can create and customize to meet your specific needs.

PART #	DESCRIPTION	DIMENSIONS	LIST PRICE
PH-9481-36-39	Finished End Panel	36"H	\$991
PH-9444-36-39	Book Return, front slot	36"W x 36"H x 30"D	\$4,723
PH-7445	Depressible Book Truck	27"W x 24"H x 22"D	\$7,923
PH-9481-36-32	Corner Desk, Level Top w/Rnd Front,	36"W x 32"H	\$6,445
PH-9427-72-30	6' Work Station Desk with knee space	72"W x 30"H x 30"D	\$6,750
PH-9427-36-30	3' Work Station Desk with knee space	36"W x 30"H x 30"D	\$3,814
PH-72107	Drawer Pedestal, 2 box drawers, 1 file drawer	16"W x 26"H x 24"D	\$6,909
PH-9481-36-32	Finished End Panel	32"H	\$941
Estimated Total			\$38,496



Additional desks and accessory models are available in a variety of sizes and configurations. Contact us for pricing.

Associations and Purchasing Groups:

See our website for our full list of regional and state contracts.

