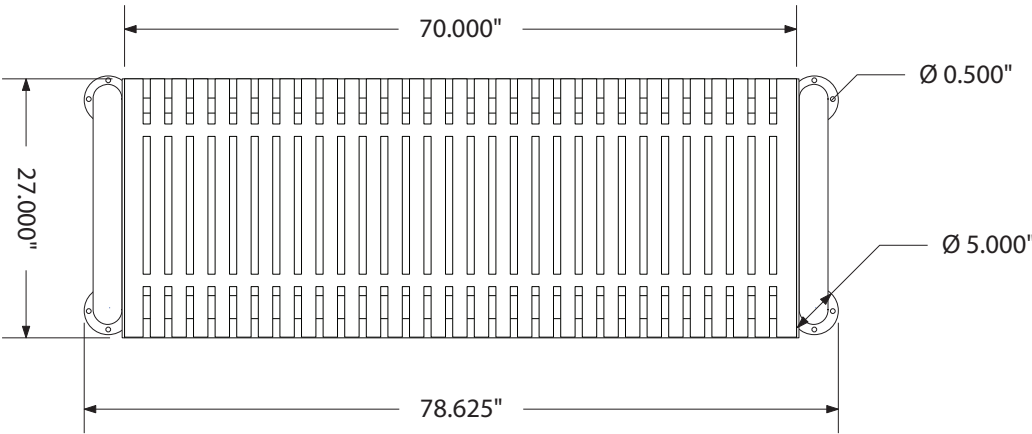


OF-ULRBNB6 SPECIFICATIONS
6' U-LEG RIBBON BENCH WITHOUT BACK

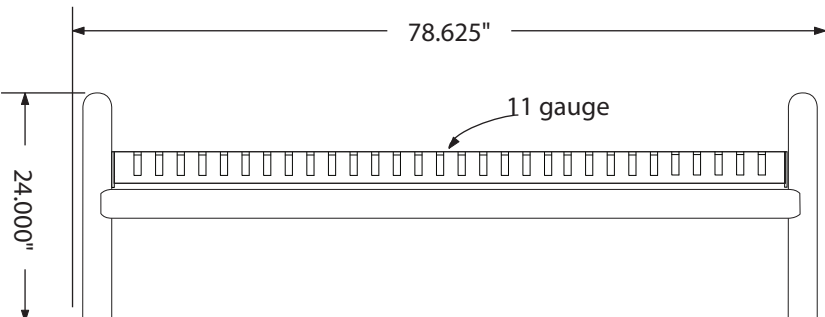
photo



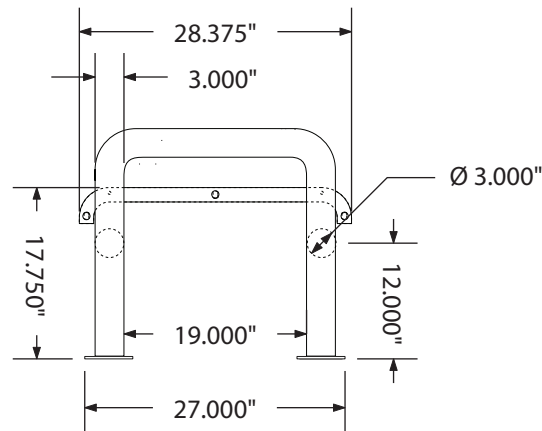
top view



front view



side view



product finish



Coated Surfaces

- Thermoplastic coated Copolymer-based, environmentally safe
- Does not fade, crack, peel, or warp
- Applied at a thickness 25-30 mils
- 5 year warranty on coating

Weight

- 125 lbs.

Construction:

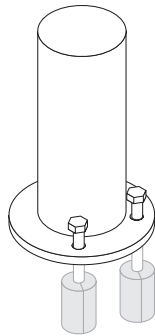
- 3" Schedule 40 tubular steel frame
- 11 Gauge steel seat, leg flanges, and endcaps
- Nuts, washers and bolts - galvanized steel

mounting styles

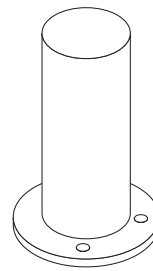
P = Portable : no mount

SM = Surface Mount:
concrete anchors
through discs welded
to legs

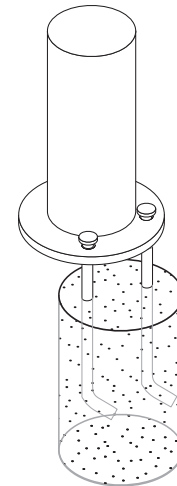
IG = In-Ground:
J-rods set in concrete
through discs welded
to legs



surface mount



portable



in-ground mount