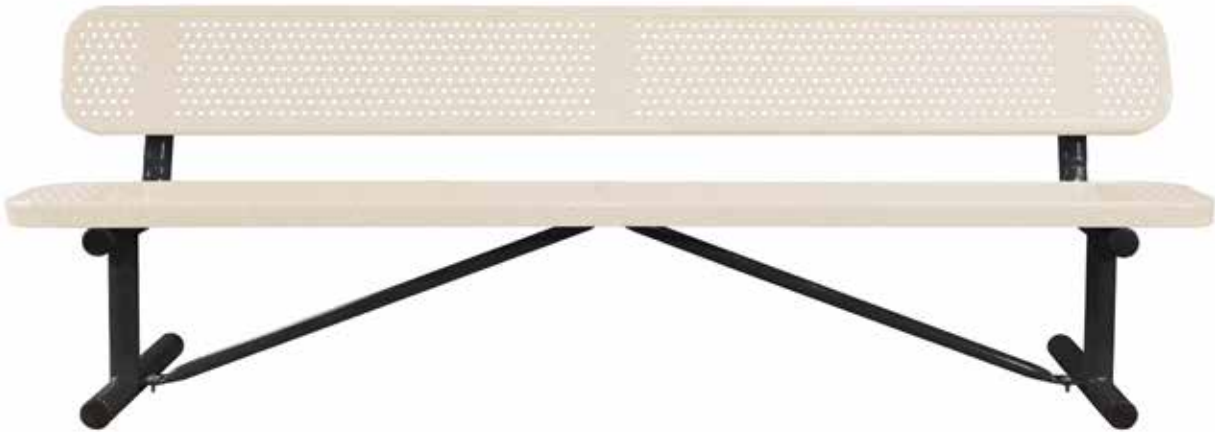
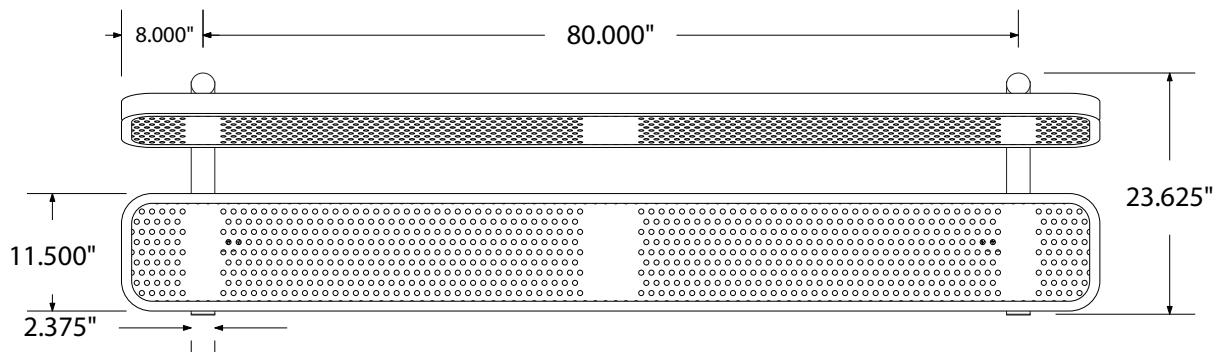


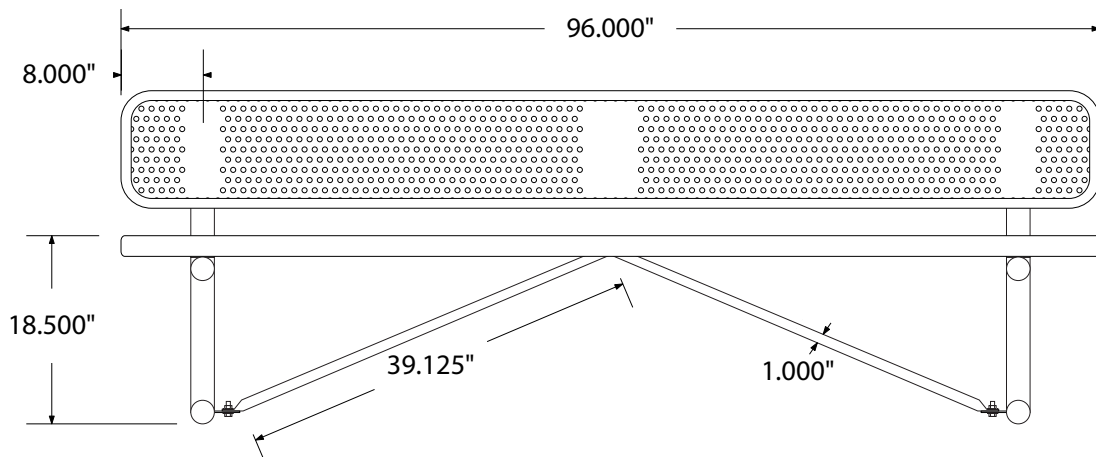
ULRBNB6
8' STANDARD PERFORATED BENCH W BACK



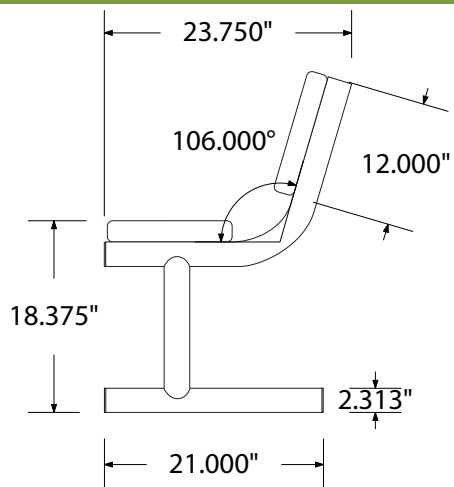
Top view



Front view



Side view



Product finish



The functional surfaces of our furniture are covered in a copolymer-based thermoplastic powder coating. Thermoplastic is environmentally safe, the coating will never fade, crack, peel, warp, or discolor for the life of the product. Thermoplastic is applied at a thickness of 25-30 mils.



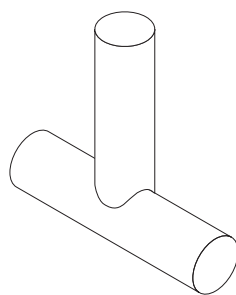
Tubular legs and understructure parts are made from galvanized steel and are finished with black polyester powder coating.

Mounting style

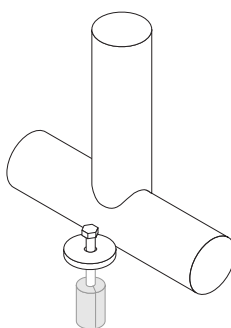
P = Portable: no mount

SM = Surface Mount: concrete anchors through holes in feet

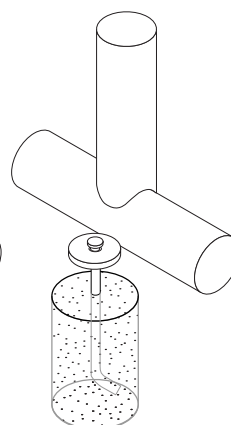
IG = In-Ground: J-rods set in concrete through holes in feet



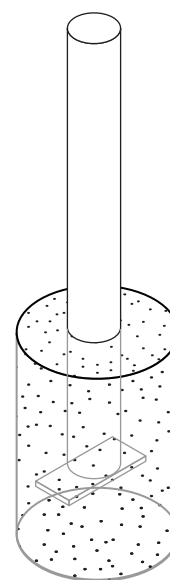
PORTABLE



SURFACE MOUNT



IN-GROUND



IN-GROUND