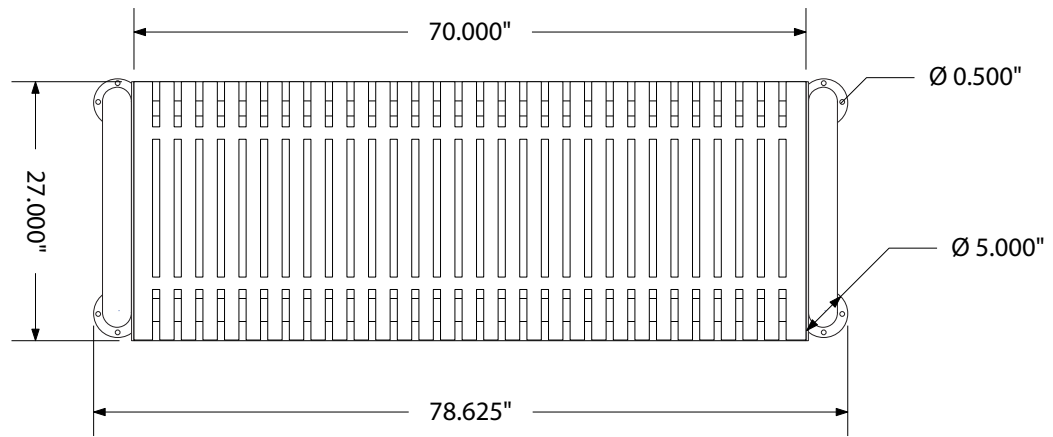
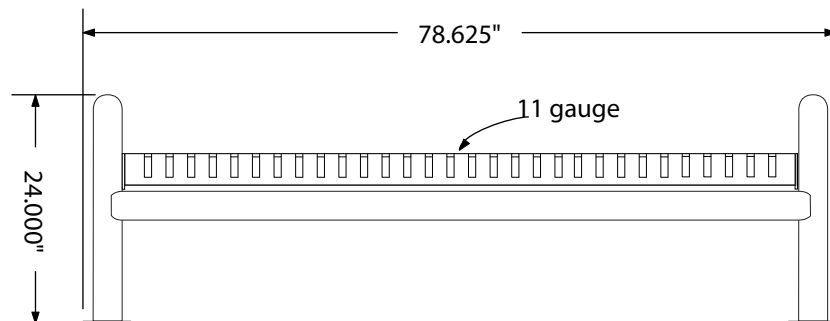


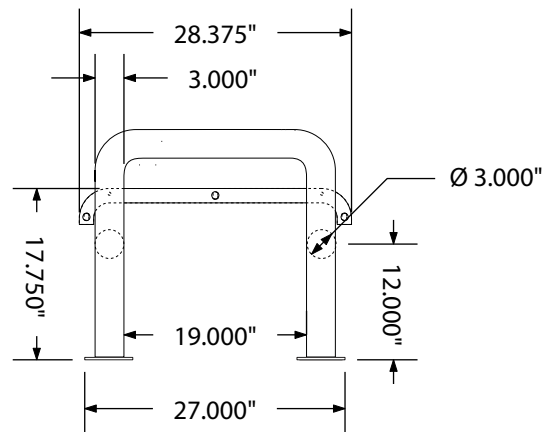
ULRBNB6
6' U-LEG RIBBON BENCH WITHOUT BACK



Front view



Side view



Product finish



Coated Surfaces

- Thermoplastic coated Copolymer-based, environmentally safe
- Does not fade, crack, peel, or warp
- Applied at a thickness 25-30 mils
- 5 year warranty on coating

Construction:

- 3" Schedule 40 tubular steel frame
- 11 Gauge steel seat, leg flanges, and endcaps
- Nuts, washers and bolts - galvanized steel

Weight

- 125 lbs.

Mounting style

P = Portable: no mount

Portable

Surface Mount

In-ground

SM = Surface Mount:
concrete anchors through
holes in feet

IG = In-Ground: J-rods set
in concrete through holes in
feet

